

mGrip™



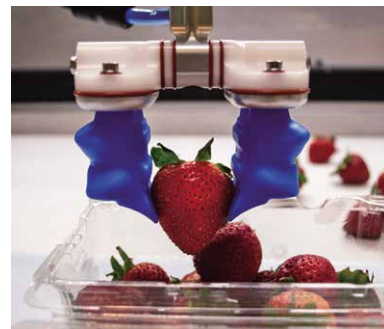
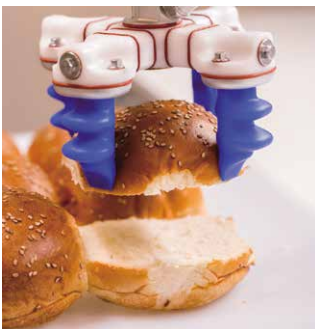
mGrip™ is a trademark and product of Soft Robotics Inc.

FEATURES

mGrip, Soft Gripper (Soft Robotics Inc.), is a robot gripper using flexible rubber fingers which can be made open and close by air.

- mGrip enables to grasp a various size, shape and weight with human hand-like dexterity.
- mGrip meets the requirements for food contact under FDA 21 CFR and EC 1935/2004, and complies with Food Sanitation Act in Japan. It can handle food sanitarly.
- mGrip has 2 types : Parallel type and Circular type. mGrip can change the number of fingers, finger length and the space between fingers by a modular structure.
- Gripping force and opening amount can be adjusted precisely by dedicated air controller, SRCU-Mini-P.
- mGrip can be easily operated and made setting from FANUC Robot Controller.

Application Examples



Food Handling



Various Workpieces Handling

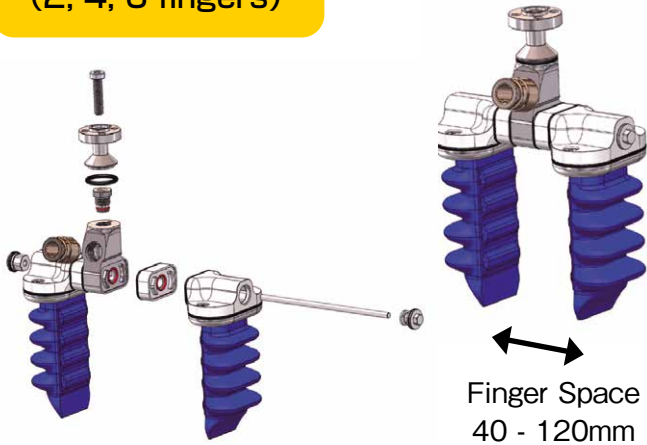


Bin Picking

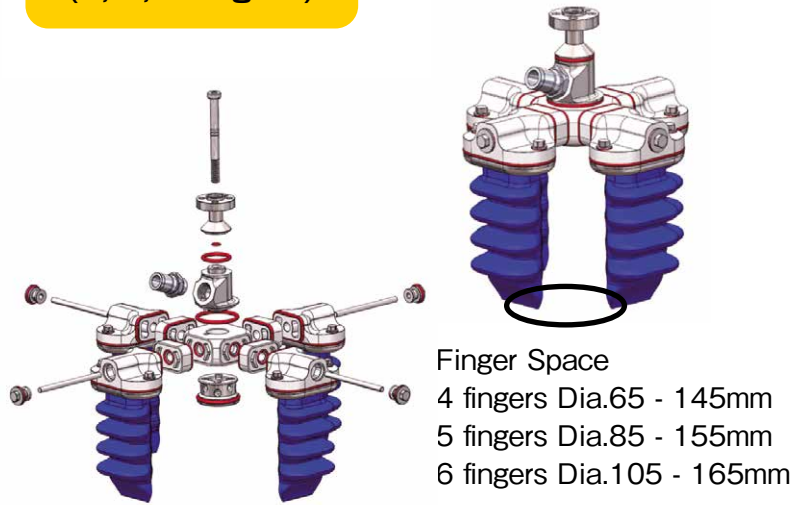
mGrip Modular Gripping System Configuration

The number of fingers and the space between fingers can be changed by a modular structure.

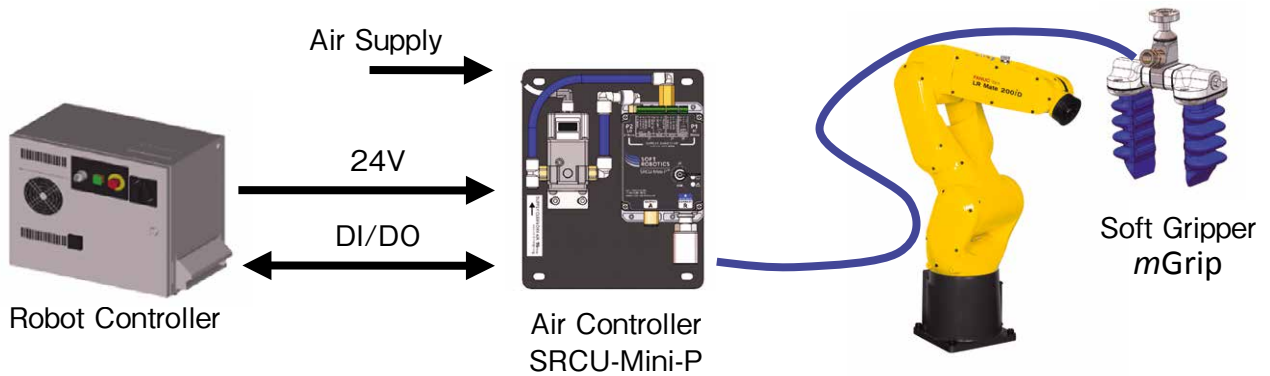
Parallel Type (2, 4, 6 fingers)



Circular Type (4, 5, 6 fingers)



System Configuration Example



Air Controller Specifications

Product	SRCU-Mini-P
IP Rating	IP40
Dimensions (W x D x H)	27x22x9 cm
Weight	3.0kg
Input Air Pressure	0.64Mpa (Recommended) 0.59~0.69Mpa
Input Electrical Power	24VDC±10% @0.5A MAX

Soft Gripper Specifications

Product	mGrip Parallel Type			mGrip Circular Type		
	2 fingers	4 fingers	6 fingers	4 fingers	5 fingers	6 fingers
Type						
Max. Load	1 - 2kg (It depends on shape and surface condition of workpieces and gripping force setting.)					
IP Rating	IP67					
Outward View						

Note) Industrial or Food type can be selected.

Note) "mGrip Kit" which includes all components to make up each type of mGrip is also available.

FANUC CORPORATION

Headquarters Oshino-mura, Yamanashi 401-0597, Japan
Phone: 81-555-84-5555 Fax: 81-555-84-5512 <https://www.fanuc.co.jp>

●Overseas Affiliated Companies
FANUC America Corporation
FANUC Europe Corporation, S.A.
SHANGHAI-FANUC Robotics CO., LTD.
KOREA FANUC CORPORATION
TAIWAN FANUC CORPORATION
FANUC INDIA PRIVATE LIMITED
FANUC SINGAPORE PTE. LTD.
FANUC THAI LIMITED
FANUC MECHATRONICS (MALAYSIA) SDN. BHD.
PT. FANUC INDONESIA
FANUC OCEANIA PTY. LIMITED
FANUC SOUTH AFRICA (PROPRIETARY) LIMITED

3900 West Hamlin Road, Rochester Hills, MI 48309-3253, U.S.A.
7, rue Benedikt Zender, L-6468 Echternach, Grand-Duché de Luxembourg
No. 1500 Fuliian Road, Baoshan Area, Shanghai, China
101, Wanam-ro(st), Seongsan-gu, Changwon-si, Gyeongsangnam-do, 642-290 Republic of Korea
No.10, 16th Road, Taichung Industrial Park, Taichung, Taiwan
41-A, Electronics City, Bangalore, 560 100, India
No.1 Teban Gardens Crescent, Singapore 608919, Singapore
1301 Pattanakarn Road, Kwaeng Suanluang, Khet Suanluang, Bangkok 10250 Thailand
No.32, Jalan Pengacara U1/48, Temasya Industrial Park, Section U1, Glenmarie, 40150 Shah Alam, Selangor Darul Ehsan, Malaysia
JL. Boulevard Bukit Gading Raya Blok R, Jakarta 14240 Indonesia
10 Healey Circuit, Huntingwood, NSW 2148, Australia
17 Loper Ave. Aeroport Industrial Ests, Spartan Ext.2 P.O.Box 219, Isando 1600, Republic of South Africa

Phone: 1-248-377-7000 Fax: 1-855-774-7051
Phone: 352-727777-1 Fax: 352-727777-403
Phone: 86-21-5032-7700 Fax: 86-21-5032-7711
Phone: 82-55-278-1200 Fax: 82-55-284-9826
Phone: 886-4-2359-0522 Fax: 886-4-2359-0771
Phone: 91-80-2852-0057 Fax: 91-80-2852-0051
Phone: 65-6567-8566 Fax: 65-6566-5937
Phone: 66-2-714-6111 Fax: 66-2-714-6120
Phone: 60-3-7628-0110 Fax: 60-3-7628-0220
Phone: 62-21-4584-7285 Fax: 62-21-4584-7288
Phone: 61-2-8822-4600 Fax: 61-2-8822-4666
Phone: 27-11-392-3610 Fax: 27-11-392-3615

●All specifications are subject to change without notice.
●No part of this catalog may be reproduced in any form.
●The products in this catalog are controlled based on Japan's "Foreign Exchange and Foreign Trade Law". The export from Japan may be subject to an export license by the government of Japan. Further, re-export to another country may be subject to the license of the government of the country from where the product is re-exported. Furthermore, the product may also be controlled by re-export regulations of the United States government. Should you wish to export or re-export these products, please contact FANUC for advice.