

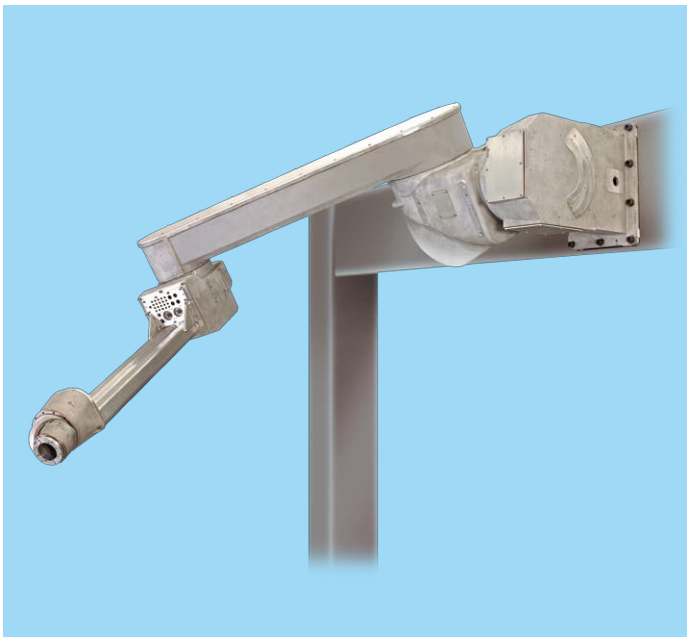
FANUC Robot P-250iB

FEATURES

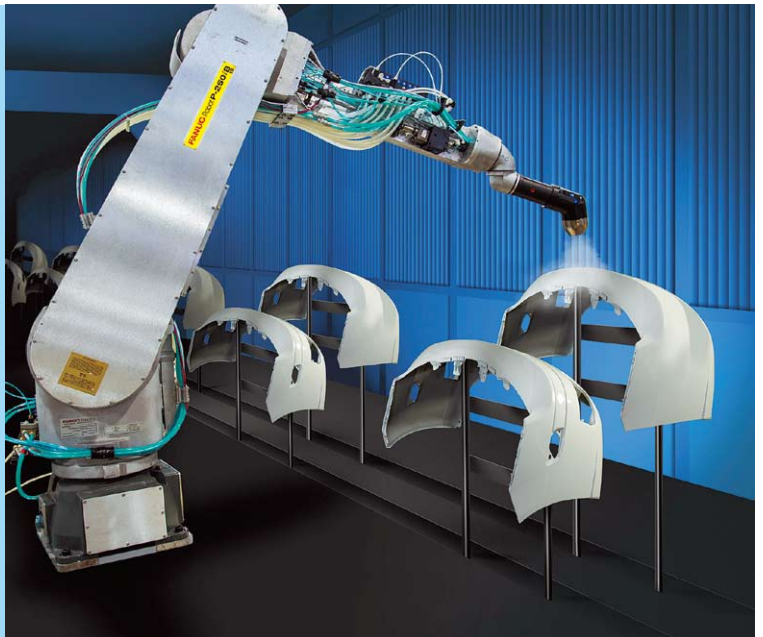
FANUC Robot P-250iB is a large size paint robot with 15kg payload capacity.

- Long reach of 2800mm, variety of mounting types, and right or left side of offset arm enable flexible layout and compact spraybooth.
- The ability to integrate process components in the inner arm in close proximity to the applicator can reduce required cleaning time and amount of wasted paint materials at the time of color change.
- Auxiliary motors for paint process are integrated in the outer arm.(Option, maximum 2 axes)
- Offset hollow wrist structure offers easy integration of process hoses and enables entering into narrow space to paint.
- Adequate load capacity at wrist supports a variety size of applicators.

Application Example



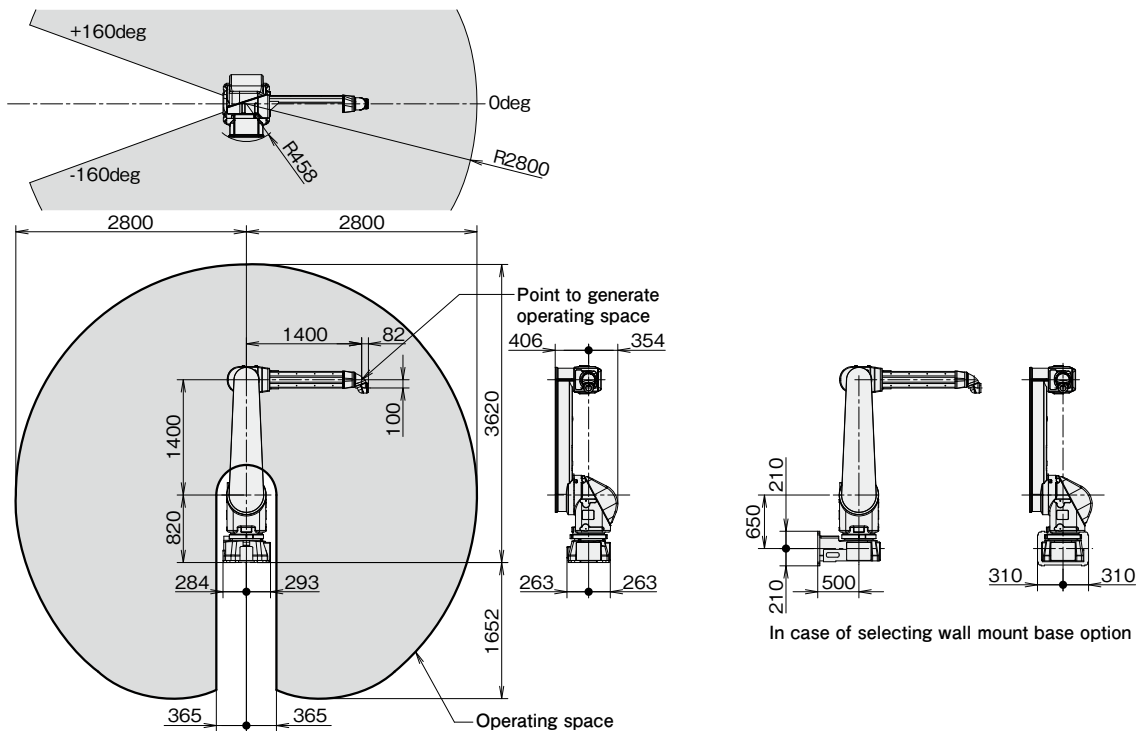
Wall Mount Base Option



Automotive Large Part Painting System

Operating space

P-250iB



Specifications

Model		P-250iB	
Type		Articulated Type	
Controlled axes		6 axes (J1, J2, J3, J4, J5, J6)	
Reach		2800 mm	
Installation		Floor, Upside-down, Shelf	Wall, Angle
Motion range (Maximum speed) Note 1)	J1 axis rotation	320°(160°/s) 5.59 rad (2.79 rad/s)	320°(100°/s) 5.59 rad (1.75 rad/s)
	J2 axis rotation	280°(160°/s)	4.89 rad (2.79 rad/s)
	J3 axis rotation	330°(160°/s)	5.76 rad (2.79 rad/s)
	J4 axis wrist rotation	1080°(375°/s)	18.85 rad (6.54 rad/s)
	J5 axis wrist swing	1080°(430°/s)	18.85 rad (7.50 rad/s)
	J6 axis wrist rotation	1080°(545°/s)	18.85 rad (9.51 rad/s)
Max. load capacity at wrist		15 kg	
Max. load capacity on outer arm		15 kg	
Max. load capacity on inner arm		15 kg	
Allowable load moment at wrist	J4 axis	65 N·m	6.6 kgf·m
	J5 axis	55 N·m	5.6 kgf·m
	J6 axis	7.4 N·m	0.76 kgf·m
Allowable load inertia at wrist	J4 axis	3.0 kg·m ²	30.6 kgf·cm·s ²
	J5 axis	2.1 kg·m ²	21.4 kgf·cm·s ²
	J6 axis	0.07 kg·m ²	0.71 kgf·cm·s ²
Drive method		Electric servo drive by AC servo motor	
Repeatability		± 0.2 mm	
Mass (Note 2)		530 kg	500kg
Installation environment		Ambient temperature	: 0 to 45°C
		Ambient humidity	: Normally 75 %RH or less (No dew nor frost allowed) Short term Max.95 %RH or less (within one month)
		Vibration acceleration	: 4.9 m/s ² (0.5G) or less

Note 1) During short distance motions, the axis speed may not reach the maximum value stated.

Note 2) Without controller.

FANUC CORPORATION

Headquarters Oshino-mura, Yamanashi 401-0597, Japan

Phone: 81-555-84-5555 Fax: 81-555-84-5512 <http://www.fanuc.co.jp>

●Overseas Affiliated Companies
 FANUC America Corporation
 FANUC Europe Corporation, S.A.
 SHANGHAI-FANUC Robotics CO., LTD.
 KOREA FANUC CORPORATION
 TAIWAN FANUC CORPORATION
 FANUC INDIA PRIVATE LIMITED
 FANUC SINGAPORE PTE. LTD.
 FANUC THAI LIMITED
 FANUC MECHATRONICS (MALAYSIA) SDN. BHD.
 PT. FANUC INDONESIA
 FANUC OCEANIA PTY. LIMITED
 FANUC SOUTH AFRICA (PROPRIETARY) LIMITED

3900 West Hamlin Road, Rochester Hills, MI 48309-3253, U.S.A.
 Zone Industrielle, L-6468 Echternach, Grand-Duché de Luxembourg
 No. 1500 Fulian Road, Baoshan Area, Shanghai, China
 101, Wanam-ro(st), Seongsan-gu, Changwon-si, Gyeongsangnam-do, 642-290 Republic of Korea
 No.10, 16th Road, Taichung Industrial Park, Taichung, Taiwan
 41-A, Electronics City, Bangalore, 560 100, India
 No.1 Teban Gardens Crescent, Singapore 608919, Singapore
 1301 Pattanakarn Road, Kwaeng Suanluang, Khet Suanluang, Bangkok 10250 Thailand
 No.32, Jalan Pengacara U1/48, Temasya Industrial Park, Section U1, Glenmarie,
 40150 Shah Alam, Selangor Darul Ehsan, Malaysia
 JL. Boulevard Bukit Gading Raya Blok R, Jakarta 14240 Indonesia
 10 Healey Circuit, Huntingwood, NSW 2148, Australia
 17 Loper Ave, Aeroport Industrial Ests. Spartan Ext.2 P.O.Box 219, Isando 1600, Republic of South Africa

Phone: 1-248-377-7000 Fax: 1-855-774-7051
 Phone: 352-727777-1 Fax: 352-727777-403
 Phone: 86-21-5032-7700 Fax: 86-21-5032-7711
 Phone: 82-55-278-1200 Fax: 82-55-284-9826
 Phone: 886-4-2359-0522 Fax: 886-4-2359-0771
 Phone: 91-80-2852-0057 Fax: 91-80-2852-0051
 Phone: 65-6567-8566 Fax: 65-6566-5937
 Phone: 66-2-714-6111 Fax: 66-2-714-6120
 Phone: 60-3-7628-0110 Fax: 60-3-7628-0220
 Phone: 62-21-4584-7285 Fax: 62-21-4584-7288
 Phone: 61-2-8822-4600 Fax: 61-2-8822-4666
 Phone: 27-11-392-3610 Fax: 27-11-392-3615

- All specifications are subject to change without notice.
- No part of this catalog may be reproduced in any form.
- The products in this catalog are controlled based on Japan's "Foreign Exchange and Foreign Trade Law". The export from Japan may be subject to an export license by the government of Japan. Further, re-export to another country may be subject to the license of the government of the country from where the product is re-exported. Furthermore, the product may also be controlled by re-export regulations of the United States government. Should you wish to export or re-export these products, please contact FANUC for advice.