

# FANUC Robot M-800iA/60

## FEATURES

The FANUC Robot M-800iA/60 is a high accuracy robot with 60kg payload capacity.

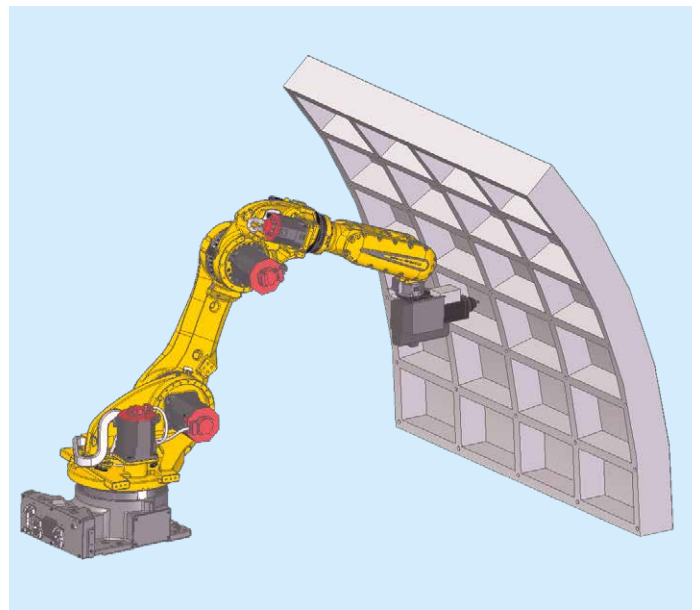
- This robot has significantly enhanced rigidity compared to the conventional robots in the same class by the mechanical design with emphasis on the rigidity.
- *i*RCalibration Signature, a highly accuracy calibration technology, compensates for manufacturing deviations from design values and mechanical torsion due to gravity, etc. to provide higher absolute position accuracy.
- FANUC's new motion control technology has significantly enhanced the circular and linear path accuracy to be within  $\pm 0.1\text{mm}$ .
- This robot is ideal for the applications that require high path accuracy, such as 3D laser cutting and water jet cutting that take advantage of the 6 degrees of freedom of the robot.



## Application Examples



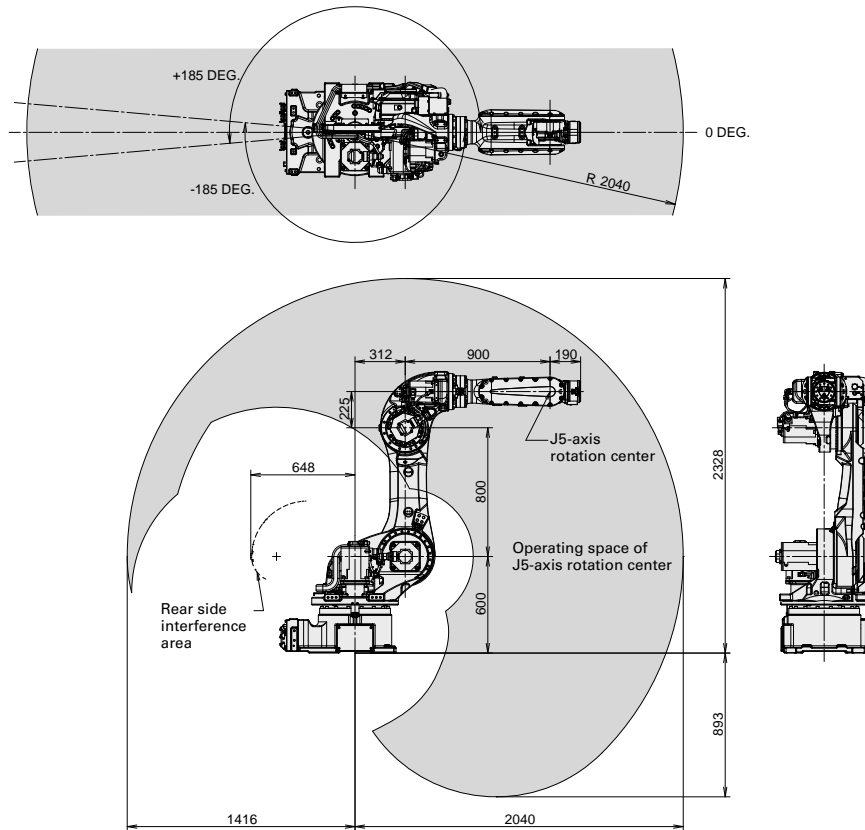
High Accuracy Laser Cutting



High Accuracy Drilling System

# Operating Space

# M-800iA/60



## Specifications

Model		M-800iA/60	
Controlled axes		6 axes (J1, J2, J3, J4, J5, J6)	
Reach		2040 mm	
Installation		Floor	
Motion range (Maximum speed) (Note 1)	J1 axis	370° (150°/s)	6.46 rad (2.62 rad/s)
	J2 axis	225° (150°/s)	3.93 rad (2.62 rad/s)
	J3 axis	340° (150°/s)	5.93 rad (2.62 rad/s)
	J4 axis	720° (260°/s)	12.6 rad (4.54 rad/s)
	J5 axis	250° (260°/s)	4.36 rad (4.54 rad/s)
	J6 axis	720° (400°/s)	12.6 rad (6.98 rad/s)
Max. load capacity at wrist		60 kg	5/3 × (A) + (B) ≤ 35 kg
Max. load capacity on J3 arm		21 kg (A)	
Max. load capacity on J3 casing		35 kg (B)	
Allowable load moment at wrist	J4 axis	210 Nm	
	J5 axis	210 Nm	
	J6 axis	130 Nm	
Allowable load inertia at wrist	J4 axis	30 kg·m <sup>2</sup>	
	J5 axis	30 kg·m <sup>2</sup>	
	J6 axis	20 kg·m <sup>2</sup>	
Repeatability		± 0.015 mm	
Mass (Note 2)		820 kg	
Installation environment		Ambient temperature : 0 to 45°C Ambient humidity : Normally 75%RH or less (No dew, nor frost allowed) Short term 95%RH or less (within one month) Vibration acceleration : 4.9m/s <sup>2</sup> (0.5G) or less	

Note 1) During short distance motions, the axis speed may not reach the maximum value stated.

Note 2) Without controller.

# FANUC CORPORATION

Headquarters Oshino-mura, Yamanashi 401-0597, Japan  
 Phone: 81-555-84-5555 Fax: 81-555-84-5512 <https://www.fanuc.co.jp>

●Overseas Affiliated Companies  
 FANUC America Corporation  
 FANUC Europe Corporation, S.A.  
 SHANGHAI-FANUC Robotics CO., LTD.  
 KOREA FANUC CORPORATION  
 TAIWAN FANUC CORPORATION  
 FANUC INDIA PRIVATE LIMITED  
 FANUC SINGAPORE PTE. LTD.  
 FANUC THAI LIMITED  
 FANUC MECHATRONICS (MALAYSIA) SDN. BHD.

3900 West Hamlin Road, Rochester Hills, MI 48309-3253, U.S.A.  
 7, rue Benedikt Zender, L-6468 Echternach, Grand-Duché de Luxembourg  
 No. 1500 Fuliian Road, Baoshan Area, Shanghai, China  
 101, Wanam-ro(st), Seongsan-gu, Changwon-si, Gyeongsangnam-do, 642-290 Republic of Korea  
 No.10, 16th Road, Taichung Industrial Park, Taichung, Taiwan  
 41-A, Electronics City, Bangalore, 560 100, India  
 No.1 Teban Gardens Crescent, Singapore 608919, Singapore  
 1301 Pattanakarn Road, Kwaeng Suanluang, Khet Suanluang, Bangkok 10250 Thailand  
 No.32, Jalan Pengacara U1/48, Temasya Industrial Park, Section U1, Glenmarie,  
 40150 Shah Alam, Selangor Darul Ehsan, Malaysia  
 JL. Boulevard Bukit Gading Raya Blok R, Jakarta 14240 Indonesia  
 10 Healey Circuit, Huntingwood, NSW 2148, Australia  
 17 Loper Ave. Aeroport Industrial Ests, Spartan Ext.2 P.O.Box 219, Isando 1600, Republic of South Africa

Phone: 1-248-377-7000 Fax: 1-855-774-7051  
 Phone: 352-727777-1 Fax: 352-727777-403  
 Phone: 86-21-5032-7700 Fax: 86-21-5032-7711  
 Phone: 82-55-278-1200 Fax: 82-55-284-9826  
 Phone: 886-4-2359-0522 Fax: 886-4-2359-0771  
 Phone: 91-80-2852-0057 Fax: 91-80-2852-0051  
 Phone: 65-6567-8566 Fax: 65-6566-5937  
 Phone: 66-2-714-6111 Fax: 66-2-714-6120  
 Phone: 60-3-7628-0110 Fax: 60-3-7628-0220  
 Phone: 62-21-4584-7285 Fax: 62-21-4584-7288  
 Phone: 61-2-8822-4600 Fax: 61-2-8822-4666  
 Phone: 27-11-392-3610 Fax: 27-11-392-3615

●All specifications are subject to change without notice.  
 ●No part of this catalog may be reproduced in any form.  
 ●The products in this catalog are controlled based on Japan's "Foreign Exchange and Foreign Trade Law". The export from Japan may be subject to an export license by the government of Japan. Further, re-export to another country may be subject to the license of the government of the country from where the product is re-exported. Furthermore, the product may also be controlled by re-export regulations of the United States government. Should you wish to export or re-export these products, please contact FANUC for advice.

© FANUC CORPORATION, 2020  
 RM-800iA(E)-01, 2020.6, Printed in Japan