

Middle Size Intelligent Handling Robot

FANUC Robot M-20iB



FEATURES

FANUC Robot M-20iB is a middle size handling robot with 25 to 35kg payload capacity.

- Three models are available to meet a variety of applications.
 - FANUC Robot M-20iB/25
This is a high speed general-purpose robot suitable for various applications, such as handling, assembling, and de-burring.
 - FANUC Robot M-20iB/25C
This is a robot available for clean environment suitable for handling materials requiring cleanliness, such as food and pharmacy.
 - FANUC Robot M-20iB/35S
This is a compact robot suitable for working in a small space.
- Cables and motors are not exposed. IP67 sealed structure can adapt to various environment.
- Connectors on the user interface don't protrude and the cables from them can be tightly routed along the arm.
- The slim arm does not interfere with peripheral equipment.
- Advanced intelligent functions are available as an option, such as *IR*Vision (integrated vision).

Application Examples



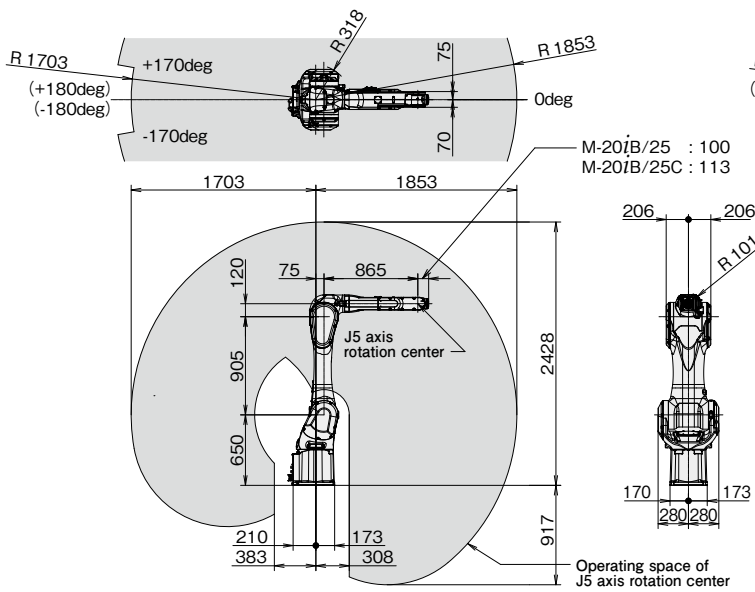
Vegetables Bin Picking



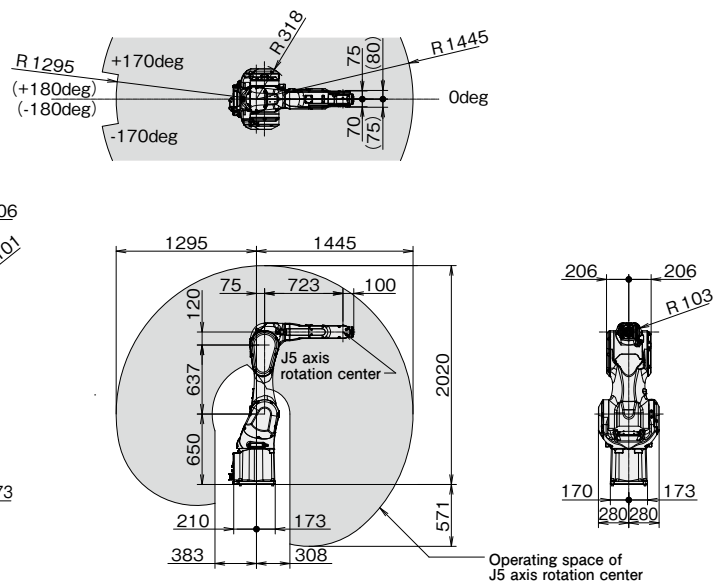
Loading/Unloading for Machine tools

Operating space

M-20iB/25, /25C



M-20iB/35S



Specifications

Model		M-20iB/25, /25C	M-20iB/35S
Type		Articulated Type	
Controlled axes		6 axes (J1, J2, J3, J4, J5, J6)	
Reach		1853 mm	1445 mm
Installation		Floor, Upside-down, Angle	
Motion range (Maximum speed) (Note 1, 2)	J1 axis rotation	340°/360° (option) (205°/s) 5.93 rad / 6.28 rad (option) (3.58 rad/s)	
	J2 axis rotation	240° (205°/s) 4.19 rad (3.58 rad/s)	
	J3 axis rotation	303° (260°/s) 5.29 rad (4.54 rad/s)	301.5° (260°/s) 5.26 rad (4.54 rad/s)
	J4 axis wrist rotation	400° (415°/s) 6.98 rad (7.24 rad/s)	
	J5 axis wrist swing	290° (415°/s) 5.06 rad (7.24 rad/s)	260° (415°/s) 4.53 rad (7.24 rad/s)
	J6 axis wrist rotation	540° (880°/s) 9.42 rad (15.36 rad/s)	
Max. load capacity at wrist		25 kg	35 kg
Allowable load moment at wrist	J4 axis	51.0 N·m	
	J5 axis	51.0 N·m	
	J6 axis	31.0 N·m	
Allowable load inertia at wrist	J4 axis	2.20 kg·m ²	
	J5 axis	2.20 kg·m ²	
	J6 axis	1.20 kg·m ²	
Repeatability (Note 3)		± 0.02 mm	
Mass (Note 4)		210 kg	205 kg
Installation environment		Ambient temperature : 0 to 45°C Ambient humidity : Normally 75 %RH or less (No dew nor frost allowed) Short term Max.95 %RH or less (within one month) Vibration acceleration : 4.9m/s ² (0.5G) or less	

Note 1) In case of angle mounting, J1 and J2 axis motion range are restricted.

Note 2) During short distance motions, the axis speed may not reach the maximum value stated.

Note 3) Compliant with ISO9283.

Note 4) Without controller.

Note 5) White paint, antirust surface and food grade grease are applied to the clean type.

FANUC CORPORATION

•Headquarters Oshino-mura, Yamanashi 401-0597, Japan
Phone: 81-555-84-5555 Fax: 81-555-84-5512 <http://www.fanuc.co.jp>

- Overseas Affiliated Companies
- FANUC America Corporation
- FANUC Europe Corporation, S.A.
- SHANGHAI-FANUC Robotics CO., LTD.
- KOREA FANUC CORPORATION
- TAIWAN FANUC CORPORATION
- FANUC INDIA PRIVATE LIMITED
- FANUC SINGAPORE PTE. LTD.
- FANUC THAI LIMITED
- FANUC MECHATRONICS (MALAYSIA) SDN. BHD.
- PT. FANUC INDONESIA
- FANUC OCEANIA PTY. LIMITED
- FANUC SOUTH AFRICA (PROPRIETARY) LIMITED

- 3900 West Hamlin Road, Rochester Hills, MI 48309-3253, U.S.A.
- Zone Industrielle, L-6468 Echternach, Grand-Duché de Luxembourg
- No. 1500 Fulian Road, Baoshan Area, Shanghai, China
- 101, Wanam-ro(st), Seongsan-gu, Changwon-si, Gyeongsangnam-do, 642-290 Republic of Korea
- No.10, 16th Road, Taichung Industrial Park, Taichung, Taiwan
- 41-A, Electronics City, Bangalore, 560 100, India
- No.1 Teban Gardens Crescent, Singapore 608919, Singapore
- 1301 Pattanakarn Road, Kwaeng Suanluang, Khet Suanluang, Bangkok 10250 Thailand
- No.32, Jalan Pengacara U1/48, Temasya Industrial Park, Section U1, Glenmarie, 40150 Shah Alam, Selangor Darul Ehsan, Malaysia
- JL. Boulevard Bukit Gading Raya Blok R, Jakarta 14240 Indonesia
- 10 Healey Circuit, Huntingwood, NSW 2148, Australia
- 17 Loper Ave, Aeroport Industrial Ests. Spartan Ext.2 P.O.Box 219, Isando 1600, Republic of South Africa

- Phone: 1-248-377-7000 Fax: 1-855-774-7051
- Phone: 352-727777-1 Fax: 352-727777-403
- Phone: 86-21-5032-7700 Fax: 86-21-5032-7711
- Phone: 82-55-278-1200 Fax: 82-55-284-9826
- Phone: 886-4-2359-0522 Fax: 886-4-2359-0771
- Phone: 91-80-2852-0057 Fax: 91-80-2852-0051
- Phone: 65-6567-8566 Fax: 65-6566-5937
- Phone: 66-2-714-6111 Fax: 66-2-714-6120
- Phone: 60-3-7628-0110 Fax: 60-3-7628-0220
- Phone: 62-21-4584-7285 Fax: 62-21-4584-7288
- Phone: 61-2-8822-4600 Fax: 61-2-8822-4666
- Phone: 27-11-392-3610 Fax: 27-11-392-3615

- All specifications are subject to change without notice.
- No part of this catalog may be reproduced in any form.
- The products in this catalog are controlled based on Japan's "Foreign Exchange and Foreign Trade Law". The export from Japan may be subject to an export license by the government of Japan. Further, re-export to another country may be subject to the license of the government of the country from where the product is re-exported. Furthermore, the product may also be controlled by re-export regulations of the United States government. Should you wish to export or re-export these products, please contact FANUC for advice.